

Adapter Curb Specifications

PART 1 GENERAL

1.01 General contractor to provide all labor, materials and equipment in connection with the complete installation of the Adapter Curb.

PART 2 PRODUCTS

2.01 Adapter Curbs as manufactured by **AES Industries, Inc., Tallassee, Alabama 36078, Phone 800-786-0402.**

PART 3 CONSTRUCTION

3.01 Adapter Curbs shall be constructed using minimum 14 gauge galvanized steel with fully welded corners, 1" duct liner insulation on air impacted surfaces, and 18 gauge galvanized steel turning vanes as required.

3.02 Minimum height, 14" above existing roof curb.

PART 4 INSTALLATION

4.01 Adapter Curbs shall be installed in strict accordance with manufacturers printed instructions and as detailed on drawings.

PART 5 COORDINATION

5.01 Size of Curbs and required options shall be coordinated by support manufacturer with general contractor and mechanical contractor prior to fabrication.

PART 6 GUARANTEE

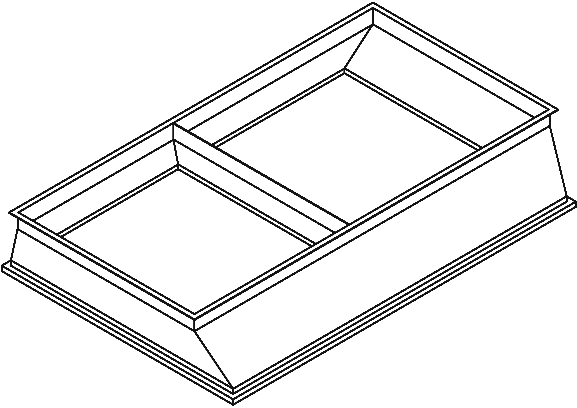
6.01 Adapter Curbs shall be guaranteed against defects in material and/or workmanship for a period of one(1) year.

Adapter Curbs

Customer _____ Project _____
 Ship To _____
 P.O. Number _____ Approved By _____

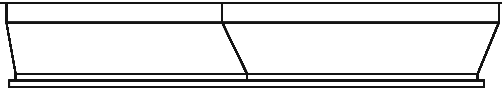
Model ARAC-1

Solid bottom Adapter Curb for existing curb with unknown location of openings. New openings are field supplied.



Standard Construction

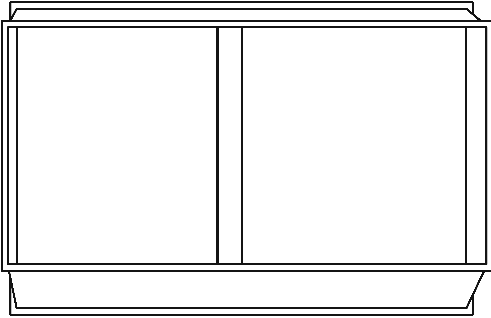
- 14ga. Galvanized Steel Plenum Adapter Curb
- Full Height Welded Corners
- 1" Duct Liner Insulation
- 12" Height
- Supply and Return Openings to match existing curb
- 1" x 1/4" thick Neoprene Gasket



Optional Construction

- Height as required
- Solid Bottom for field location of Supply and Return openings
- Isolation Rail System

check all that apply



QTY	Existing RTU	New RTU	COMMENTS

Adapter Curbs

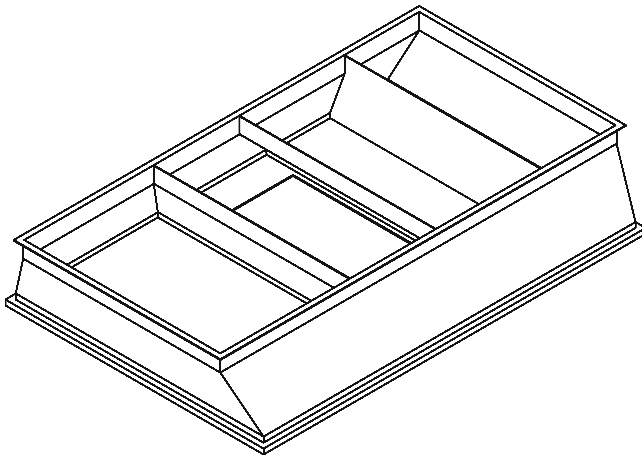
Customer _____ Project _____

Ship To _____

P.O. Number _____ Approved By _____

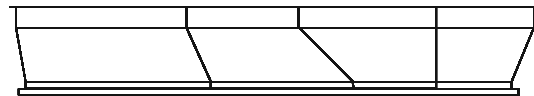
Model ARAC-2

Adapter curb for maintenance-free installation. No field modifications required.



Standard Construction

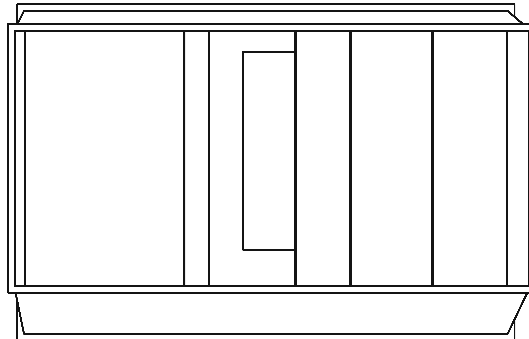
- 14ga. Galvanized Steel Rail Adapter Curb
- Full Height Welded Corners
- 1" Duct Liner Insulation
- Height as required by unit size
- 1" x 1/4" thick Neoprene Gasket



Optional Construction

Isolation Rail System

check all that apply



QTY	Existing RTU	New RTU	COMMENTS

Adapter Curbs

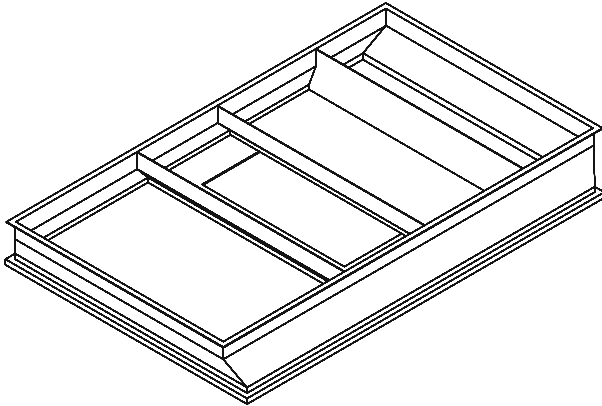
Customer _____ Project _____

Ship To _____

P.O. Number _____ Approved By _____

Model ARAC-3

Adapter curb for total duct replacement.
New duct drops required by others.



Standard Construction

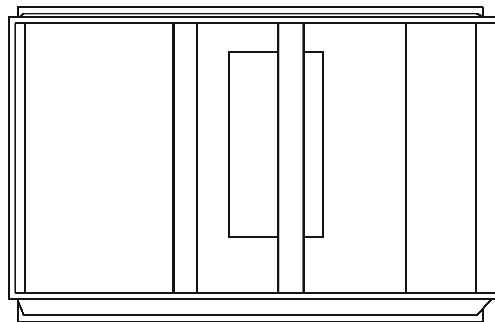
- 14ga. Galvanized Steel Rail Adapter Curb
- 3" Deep Duct Support Rails
- Old Rails Absent or Field Removed
- New Drops Field Fabricated
- Full Height Welded Corners
- 1" Duct Liner Insulation
- Height as required by unit size
- 1" x 1/4" thick Neoprene Gasket



Optional Construction

- Duct support rails shipped loose
- Full Height Duct Support Rails
- Isolation Rail System

check all that apply



QTY	Existing RTU	New RTU	COMMENTS

Adapter Curb Installation Instructions

Typical installation for AES Adapter Curbs

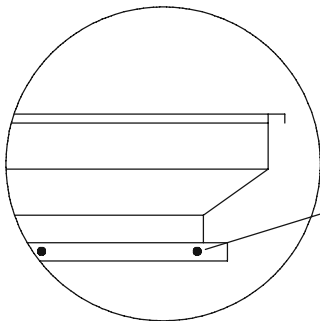
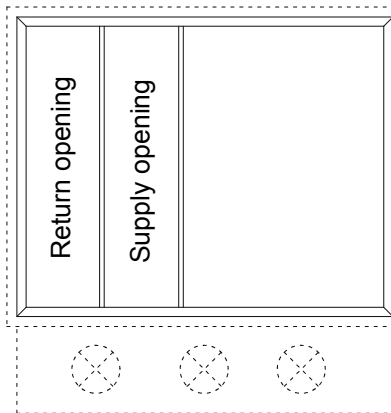
1. Remove all possible connections between existing unit and roof.
2. Remove all duct connections to unit.
3. Carefully remove existing unit.
(Do not damage curb)

Typical
connection
locations

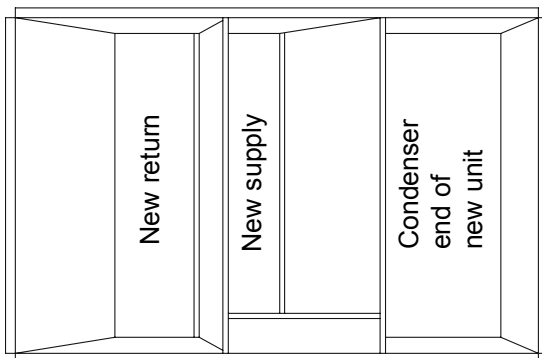
Main power

Gas

EXISTING CURB



Attach to existing
curb @ 12" OC



ADAPTER CURB

4. Install neoprene to existing curb flanges and rails.
5. Place adapter curb over existing curb as shown.
6. Attach to existing curb with #10 x 1-1/4" long self-tapping screws (w/gaskets).
7. Move all power and pipe connections to new unit locations as required.
8. Attach existing duct to adapter curb openings (maintain seal).
9. Install neoprene gasket to adapter curb flanges and openings.
10. Install new unit as per manufacturer's recommendations.