

Drop Box Diffuser Specifications

PART 1 GENERAL

1.01 General contractor to provide all labor, materials and equipment in connection with the complete installation of the Drop Box Diffusers.

PART 2 PRODUCTS

2.01 Drop Box Diffusers as manufactured by **AES Industries, Inc., Tallassee, Alabama 36078, Phone 800-786-0402**

PART 3 CONSTRUCTION

A. General: Construct drop boxes of 18 gauge galvanized/galvanized (paintable) steel sheet conforming to ASTM A 653, min. A60 coating designation, with integral 18 gauge min. air diverters. Drop boxes shall be fully welded. Mechanical fastened seams shall not be used. Diffusers shall be fully adjustable double deflection drum louvers by approved source. Base louver in 6-way box shall be double deflection. Fasteners to match louver/grille color. Drop boxes and air diverters shall be insulated with 1" x 1.5 lb density duct liner glued and spot welded to all interior surfaces. Duct collars shall be constructed with factory formed TDC flange or equal. Provide factory installed mounting brackets.

B. Accessory Package: No field supplied items required for mounting. Provide mounting accessory package for each drop box which consists of the following:

1. 2"x 2"x 1/4" pre-punched angles (or Unistrut).
2. 3/8" all thread rod (pre-cut).
3. Beam clamps.
4. All bolts, nuts and washers.

C. Finish: Prime and finish coat in the shop. Finish coating shall be color to match Sherwin Williams #SW2537 "Blossom White".

1. Alkyd Primer: One coat PPG Multigrip Epoxy Ester Dry Fog #6-157.
2. Alkyd Finish: One coat PPG Speedhide Super-Tech Dry Fog Coating, Eggshell # 6-151.

PART 4 INSTALLATION

4.01 Drop Box Diffusers shall be installed in strict accordance with manufacturers printed instructions and as detailed on drawings.

PART 5 COORDINATION

5.01 Size of Boxes and required options shall be coordinated by support manufacturer with general contractor and mechanical contractor prior to fabrication.

PART 6 GUARANTEE

6.01 Drop Box Diffusers shall be guaranteed against defects in material and/or workmanship for a period of five (5) years.

Drop Box Diffusers

Standard Construction

- 18ga. Galvanized Steel
- 20ga. Pyramid Air Diverter
- 1" Acoustical Duct Liner Insulation for noise control
- TDC Top Flange for Duct Connection
- 14 Ga. Mounting Brackets
- Double Deflection Drum Louvers
- Painted White

Optional Construction

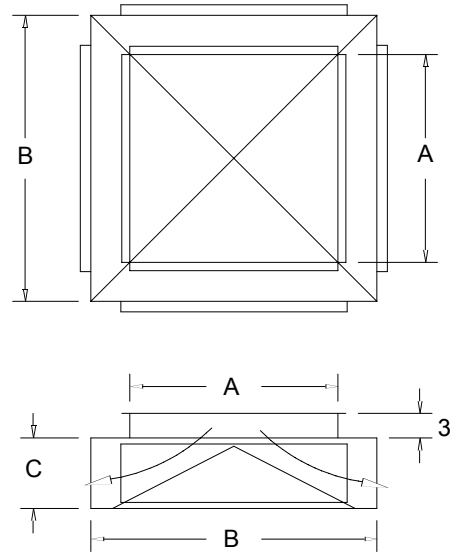
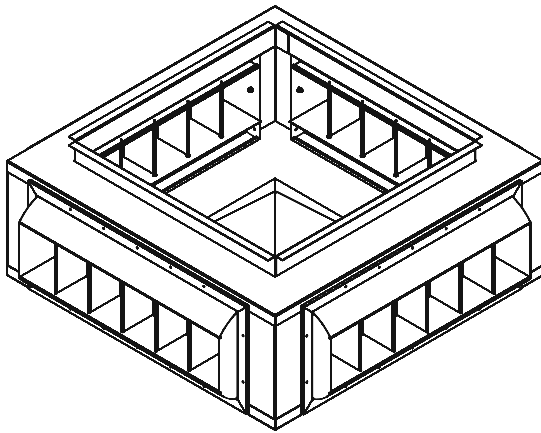
- Heavier Gauge Construction
- Opposed Blade Dampers
- Standard Double Deflection Grilles

check all that apply

QTY	MODEL	TAG

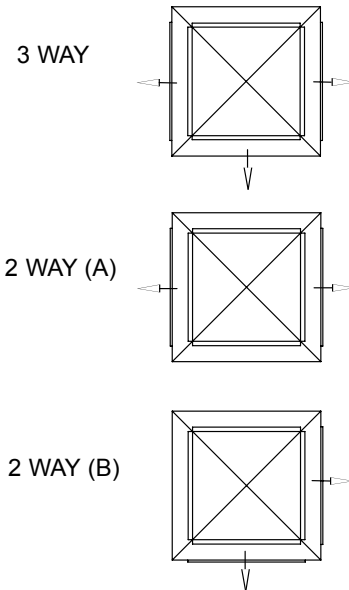
Model ADB-1

Drop box diffuser with double deflection drum louvers. Typically used in high ceiling applications.



AES Drop Box Model No.	Box Type	Total CFM	Louver Size	Dim. A	Dim. B	Dim. C
ADB -1-5-4	4-way	2000	6 x 12	14	22	9
ADB -1-5-3	3-way	2000	6 x 18	19	28	9
ADB -1-5-2 (A or B)	2-way	2000	10 x 25	28	35	13
ADB -1-7-4	4-way	3000	6 x 18	19	28	9
ADB -1-7-3	3-way	3000	10 x 25	28	35	13
ADB -1-7-2 (A or B)	2-way	3000	10 x 25	28	35	13
ADB -1-8-4	4-way	3400	6 x 24	20	34	9
ADB -1-8-3	3-way	3400	10 x 20	24	30	13
ADB -1-8-2 (A or B)	2-way	3400	12 x 30	30	40	15
ADB -1-10-4	4-way	4000	10 x 20	24	30	13
ADB -1-10-3	3-way	4000	10 x 25	28	35	13
ADB -1-10-2 (A or B)	2-way	4000	12 x 30	30	40	15
ADB -1-12-4	4-way	5000	10 x 20	24	30	13
ADB -1-12-3	3-way	5000	12 x 30	30	40	15
ADB -1-12-2 (A or B)	2-way	5000	12 x 50	30	40	15
ADB -1-15-4	4-way	6000	10 x 25	28	35	13
ADB -1-15-3	3-way	6000	12 x 30	30	40	15
ADB -1-15-2 (A or B)	2-way	6000	12 x 50	38	58	15
ADB -1-20-4	4-way	8000	12 x 30	30	40	15
ADB -1-20-3	3-way	8000	12 x 50	38	58	15
ADB -1-20-2 (A or B)	2-way	8000	15 x 50	38	59	19
ADB -1-25-4	4-way	10000	12 x 30	30	40	15
ADB -1-30-4	4-way	12000	12 x 50	38	58	15

Optional Configurations



Drop Box Diffusers

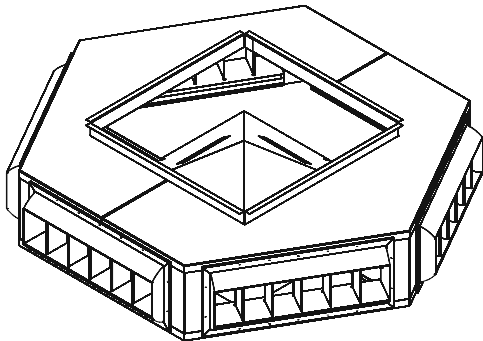
Standard Construction

- 18ga. Galvanized Steel
- 20ga. Pyramid Air Diverter
- 1" Acoustical Duct Liner Insulation for noise control
- TDC Top Flange for Duct Connection
- 14 Ga. Mounting Brackets
- Double Deflection Drum Louvers
- Painted White
- Double Deflection Base Louver on 20-25 Tons

Optional Construction

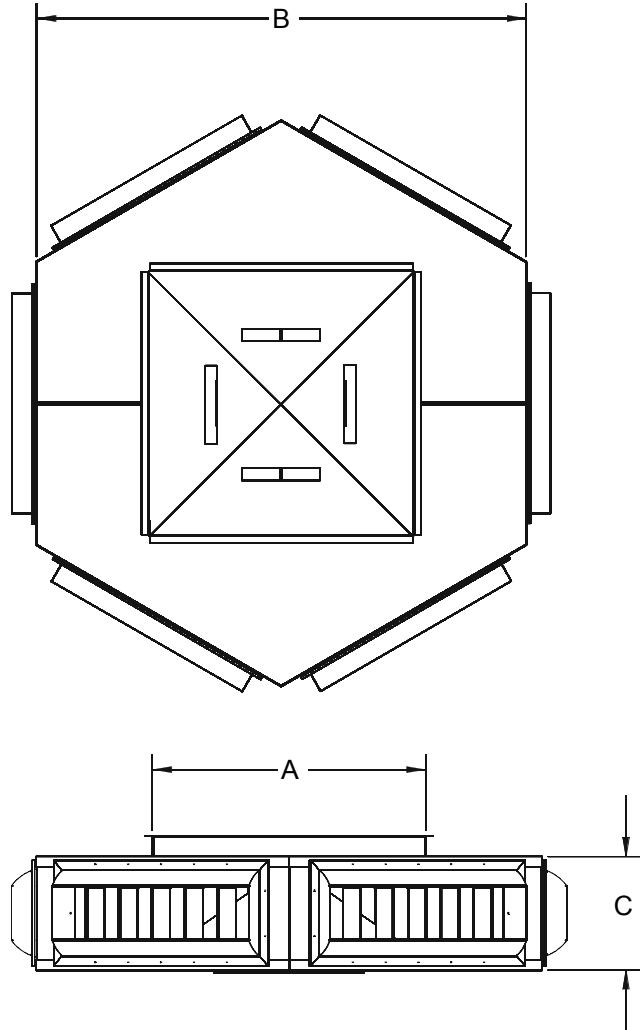
- Heavier Gauge Construction
- Opposed Blade Dampers
- Standard Double Deflection Grilles

check all that apply



Model ADB-6

Drop box diffuser with double deflection drum louvers. Typically used in high ceiling applications.



QTY	MODEL	TAG

AES Drop Box Model No.	Box Type	Total CFM	Louver Size	Dim. A	Dim. B	Dim. C
ADB -6-5	6-way	2000	6 x 12	14	33	9
ADB -6-10	6-way	4000	6 x 18	22	49	9
ADB -6-20	6-way	6000-7000	10 x 25	28	56	13
ADB -6-25	6-way	8000-10000	12 x 30	36	67	15

Larger capacity boxes available - contact AES